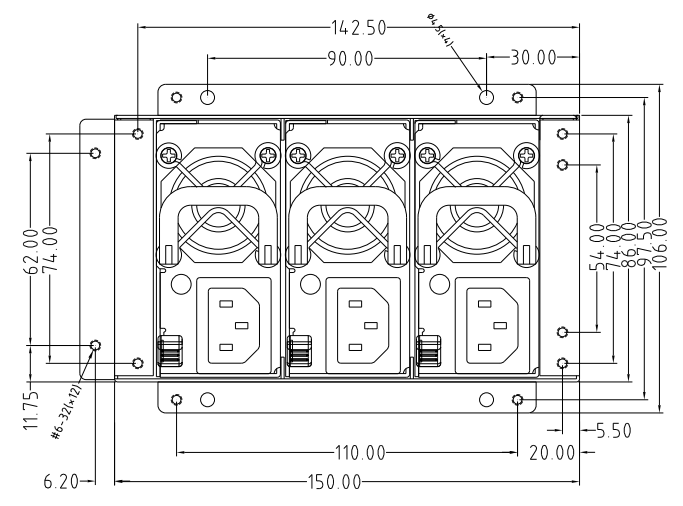
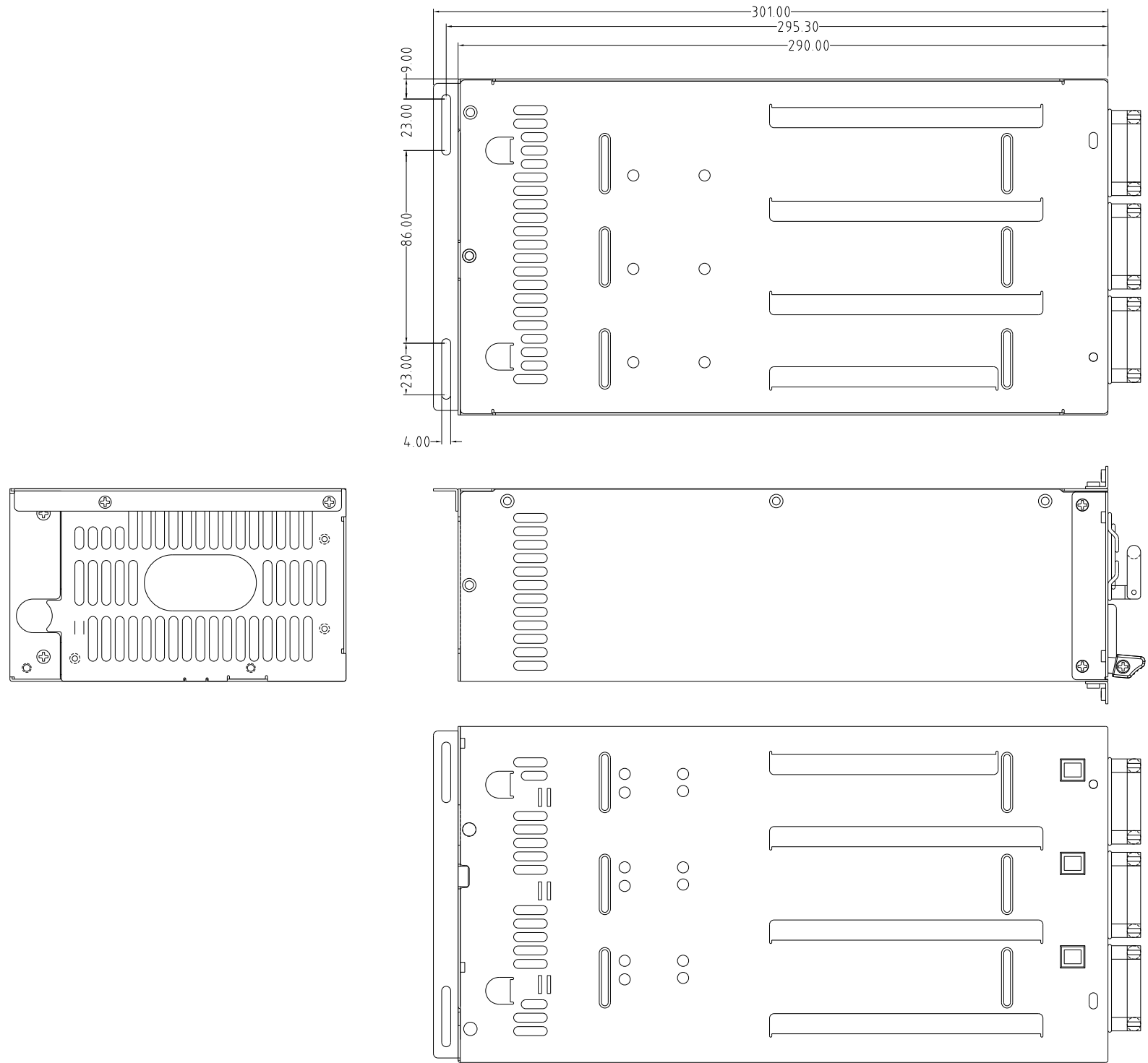



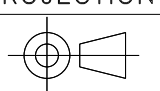
REV.	DESCRIPTION	DATE

THESE DRAWINGS ARE THE PROPERTY OF *Thermaltake CO.,LTD.* AND CONTAINS CONFIDENTIAL AND TRADE SECRET INFORMATION.AND SHALL NOT BE REPRODUCED. COPIED OR USED IN ANY MANNER WITHOUT THE PRIOR WRITER CONSENT OF *Thermaltake CO.,LTD.*



Note:
 1.須符合 S-TT-001 標準
 2.Tolerances:±0.5mm

ITEM	PART NO.	DESCRIPTION	QTY
 Thermaltake Technology Co., Ltd			
DRAWING NAME		TP-4UR600L2E	
PART NO.		WSPR0021	
DATE	APP.	CHK.	DRAW
2008/07/08			TIN

MATERIAL		REV.	T1
FINISH		WEIGHT	
COLOR		SCALE	1:1
TOLERANCES UNLESS NOTED		UNIT	mm
0.0 ~ 5	± 0.1	THIRD ANGLE PROJECTION 	
5.0 ~ 20	± 0.2		
20.0 ~ 50	± 0.3		
50.0 ~ 200	± 0.4		
200.0 ~	± 0.5		
ANGLE	± 1°		